



TR02

INSTRUCTION MAUNAL/PARTS LIST

No.0992-00
29159100

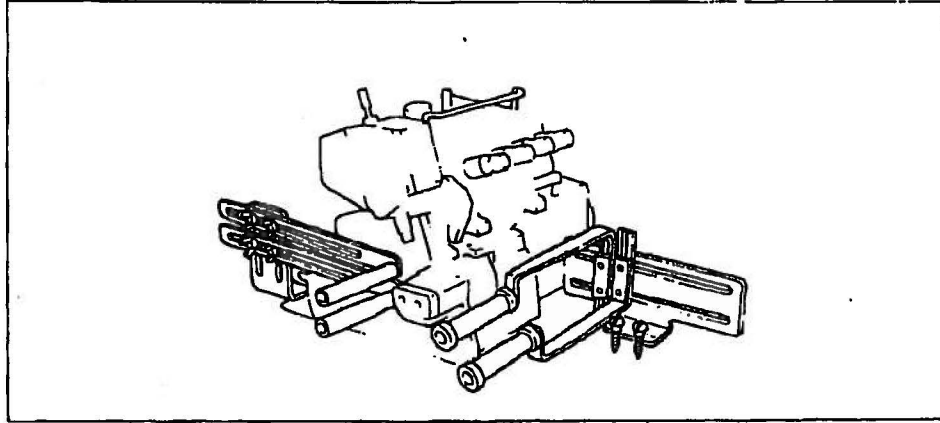


Fig. 1

I. INSTALLATION

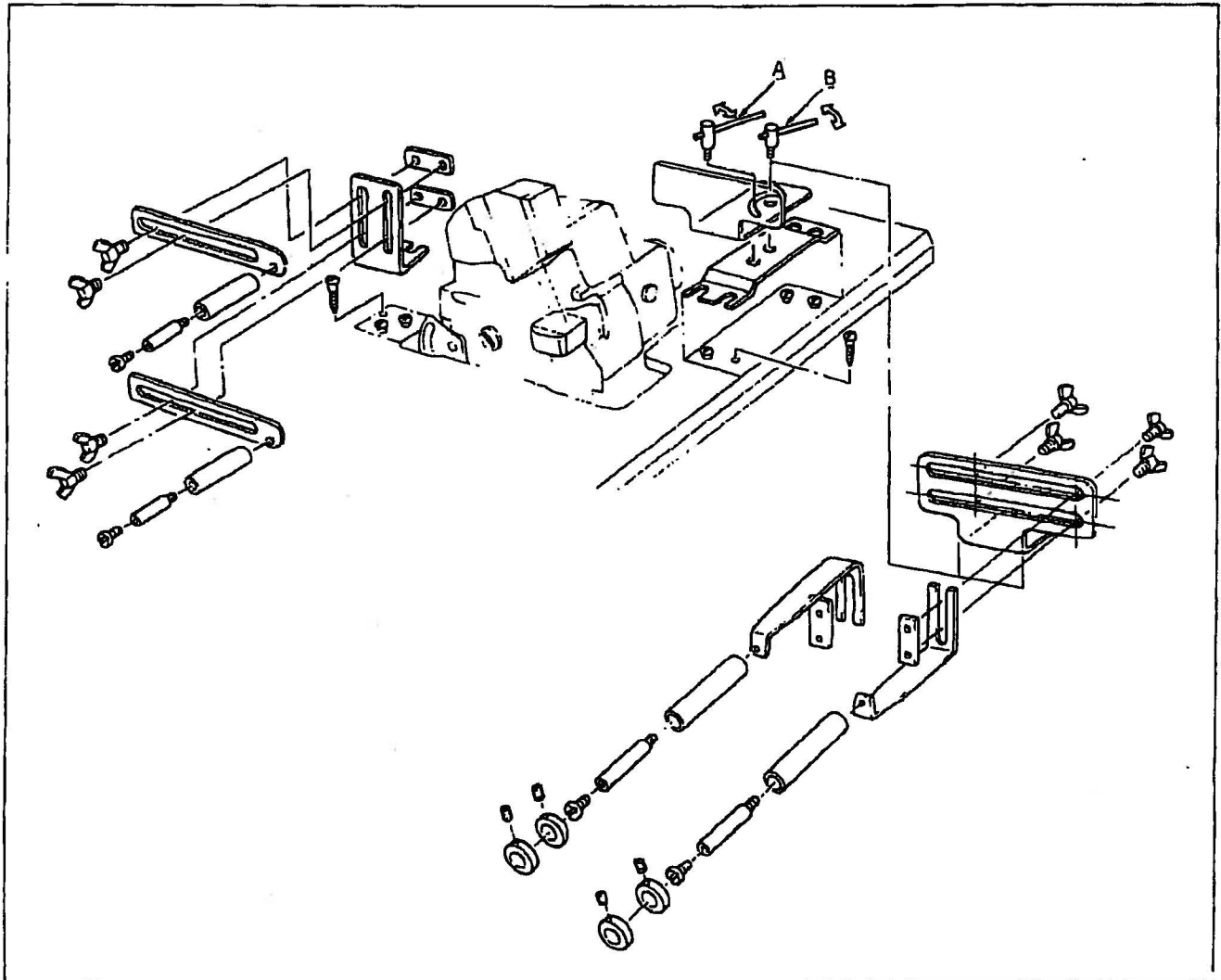
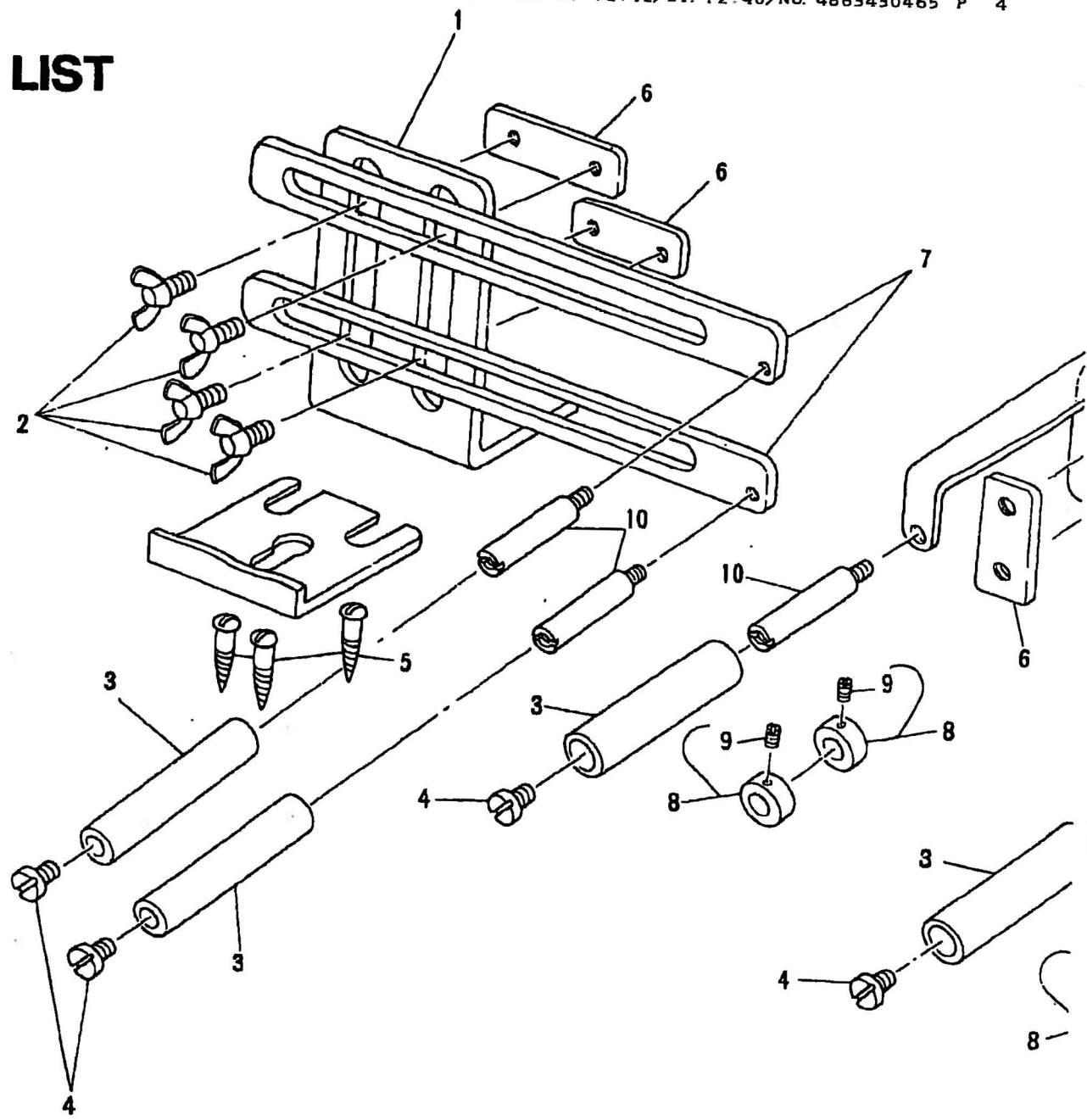


Fig. 2

TR02 PARTS LIST



REF.NO.	PART NO.	PART NAME	QTY.
1	GTR02007000	Cylinder roller base, rear	1
2	GTR02014000	Wing nut	4
3	GTR02006000	Cylinder roller	4
4	SS7110570SP	Oval fillister head screw 11/64-40 L=4.8	4
5	SK3552000SC	Wooden screw D=5.5 L=20	7
6	GTR02004000	Cylinder roller mounting base	4
* 7	GTR02008000	Cylinder roller (rear) arm	2
8	GTR020090A0	Cylinder roller collar asm.	4
9	SS8110410TP	Set screw 11/64-40 L=3.5	(4)